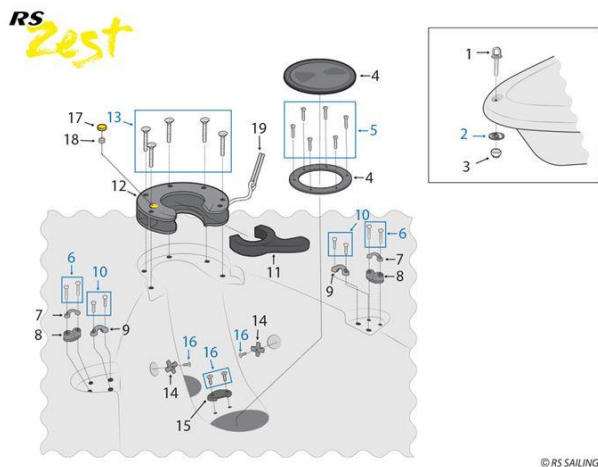


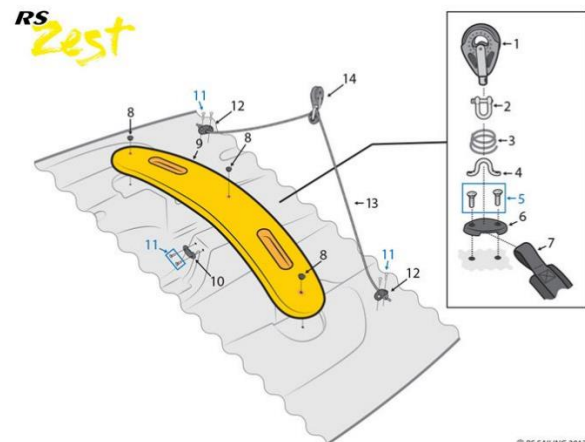
Hull Parts - Bow and Mast Area



1. RS Zest Bow Eye Bolt - **ZES-HF-101**
2. RS Washer, M8 - **FIX-W8-002**
3. RS Nyloc Nut, M8 - **FIX-N8-008**
4. RS Inspection Port 100mm, Selden - **RSM-HF-904**
- 5 & 16. RS Flat Head Machine Screw 8 x 3/4 mm - **FIX-S8-C03**
6. RS Flat Head Machine Screw, M4 x 25mm - **FIX-B4-C25**
7. RS Cam Cleat Fairlead 27mm, Selden - **433-108-01**
8. RS Cam Cleat 27mm, Selden - **433-101-01**
10. RS Flat Head Machine Screw M5 x 12mm - **FIX-B5-C12**
11. RS Zest Mast Gate Arm - **ZES-HF-900**
12. RS Zest Mast Deck Plate Assembly - **ZES-HF-200**
13. RS Flat Head Machine Screw M6 x 50mm - **FIX-B6-C50**
14. RS Hiking Strap Attachment Cross - **TER-HF-401**
15. RS Hiking Strap Plate - **RSM-HF-301**
17. RS Zest Mast Gate Release Button - **ZES-HF-901**
18. RS Zest Mast Gate Release Spring - **ZES-HF-902**
19. RS Mast Gate Pin - **QUB-UA-900**

© RS SAILING 2017

Hull Parts - Thwart Area

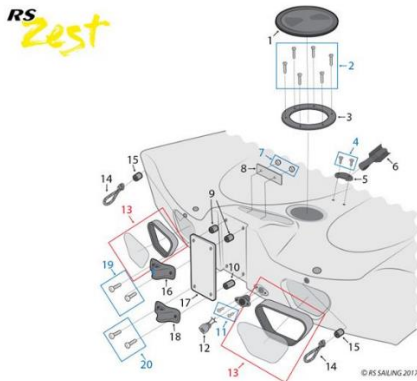


1. RS 40mm Single Block with Shackle Swivel, Selden - **P40410101**
2. Allen Forged D Shackle 4mm - **A-621104**
3. RS Standup Spring, Selden - **433-411**
4. RS Eyestraps 38mm, Allen - **508-019**
5. RS Pan Head Machine Screw M5 x 20mm - **FIX-B5-P20**
- 6 & 10. RS Hiking Strap Plate - **RSM-HF-301**
7. RS Zest Hiking Strap/Toe Strap Set - **ZES-HF-400**
8. RS Zest Thwart Plug - **ZES-HF-301**
9. RS Zest Thwart - **ZES-HF-300**
11. RS Flat Head Machine Screw M5 x 20mm - **FIX-B5-C20**
12. RS Rope Dead End 6mm, Selden - **480-351**
13. RS Zest Mainsheet Bridle (3ft) - **ZES-WEB-006**
14. RS 40mm Traveler Block, Selden - **404-101-21**

© RS SAILING 2017

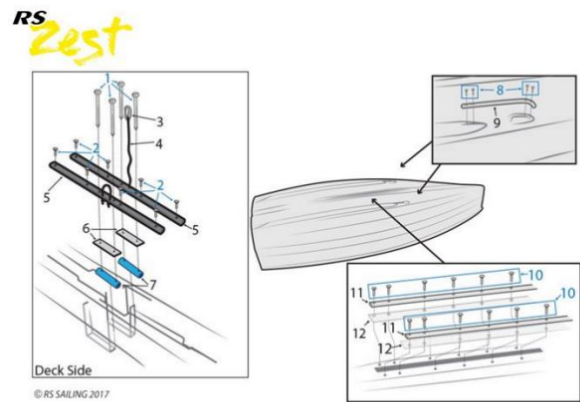
Click on the part number to be linked directly to the product page!

Hull Parts - Transom Area



- 1 & 3. RS Inspection Port 100mm, Selden - **RSM-HF-904**
2. RS Flat Head Machine Screw 8 x ¾ mm - **FIX-S8-C03**
4. RS Flat Head Machine Screw M5 x 20mm - **FIX-B5-C20**
5. RS Hiking Strap Plate - **RSM-HF-301**
6. RS Zest Hiking/Toe Strap Set - **ZES-HF-400**
7. RS M6 Nyloc Nut - **FIX-N6-006**
8. RS Gudgeon Backing Plate, MK2 - **C16-HF-504**
- 9 & 10. RS Transom Spacer Tube 32mm - **QUE-HF-504**
11. RS Flat Head Machine Screw 8 x ¾ mm - **FIX-S8-C03**
12. Drain Plug, Allen – **A.423**
13. RS Zest Scupper Assembly - **ZES-HF-500**
15. RS Zest Transom Spacer Tube 16.5mm - **480-566**
16. RS Gudgeon with Lock - **C16-HF-502**
17. RS Zest Transom Plate - **ZES-HF-501**
18. RS Gudgeon, Non-Locking - **RSM-HF-506**
19. RS Pan Head Machine Screw M6 x 55mm - **FIX-B6-P55**
20. RS Pan Head Machine Screw M6 x 60mm - **FIX-B6-P60**

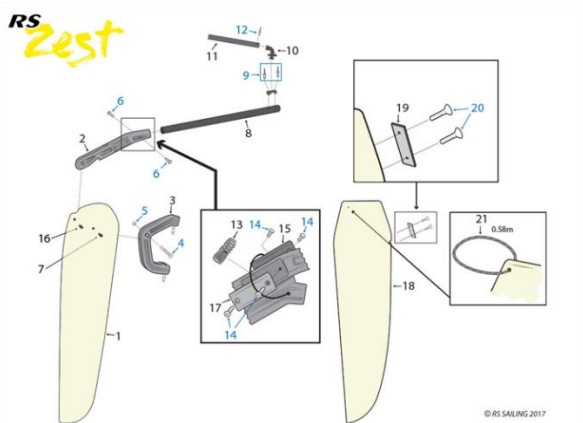
Hull Parts – Underside



- 1 & 2. RS Pan Head Machine Screw 10 x 2 mm - **FIX-S10-P02**
3. Allen Nylon Shockcord Hook - **A359**
4. Kingfisher Shockcord 4mm, Black - **KS304BLK**
5. RS Zest/Quest Centerboard Case Deck Plate - **QUE-HF-302**
6. RS Hiking/Toe Strap Plate Stainless Steel, Allen - **A4099**
7. RS Centerboard Friction Tube - **RSM-FO-902**
8. RS Flat Head Machine Screw M5 x 20mm - **FIX-B5-C20**
9. RS Zest/Quest Hull Rail Handle - **QUE-HF-307**
10. RS Flat Head Machine Screw 8 x ¾ mm - **FIX-S8-C03**
11. RS Zest/Quest Centerboard Gasket Retainer - **QUE-HF-305**
12. RS Zest/Quest Centerboard Gasket - **L2K-HF-303**

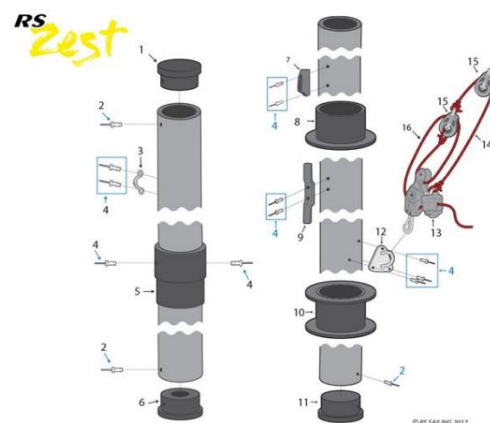
Click on the part number to be linked directly to the product page!

Rudder Stock and Blades



1. RS Zest Rudder Blade - **ZES-FO-100**
2. RS Zest Tiller Base Casting - **ZES-FO-901**
3. RS Zest Rudder head, C-Shape - **ZES-FO-902**
4. RS Pan Head Machine Screw M8 x 40mm - **FIX-B8-P41**
5. RS M8 Nyloc Nut - **FIX-N8-008**
6. RS Flat Head Machine Screw 10 x ¾ mm - **FIX-S10-C34**
7. RS Zest Rudder Pivot Bushing - **480-533**
8. RS Zest Tiller, Tube Only - **ZES-FO-400**
9. RS Flat Head Machine Screw 8 x ¾ mm- **FIX-S8-C03**
10. RS Universal Joint, Selden - **CA0015**
11. RS Zest Tiller Extension 900mm - **ZES-FO-500**
12. RS Button Head Machine Screw M4 x 35mm - **FIX-B4-B35**
13. RS Rudder Head Spring - **RSM-FO-916**
14. RS Flat Head Machine Screw M5 x 12mm - **FIX-B5-C12**
15. RS Rudder Head Spring Cover - **RSM-FO-917**
16. RS Zest Tiller Pivot Bushing - **480-560**
17. RS Rudder Head Spring Cover - **RSM-FO-917**
18. RS Zest Centerboard - **ZES-FO-200**
19. RS Toe Strap Plate Stainless Steel, Allen - **A4099**
20. RS Flat Head Machine Screw 10 x 1 ½ mm - **FIX-S10-C15**
21. Kingfisher Braid on Braid 8mm, Black - **KBB08BLK**

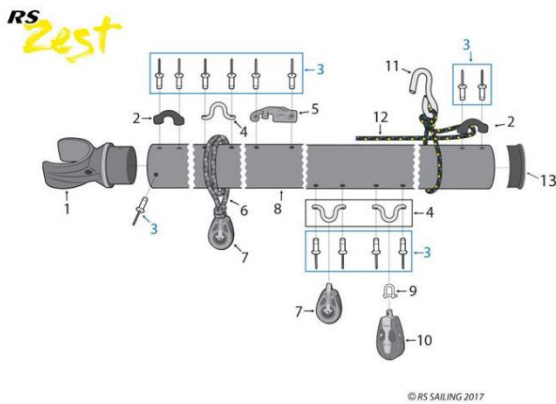
Mast Parts



1. RS Zest Top Section End Plug - **ZES-SP-903**
2. RS Monel Rivet 4.8 x 12 mm - **FIX-R48-M12**
3. RS Vang Strop Eyestay - **S2517**
4. RS Monel Rivet 4.8 x 18mm - **FIX-R48-M18**
5. RS Zest/Quba Top Section Connector Sleeve - **QUB-SP-903**
6. RS Zest/Quba Top Section End Plug - **QUB-SP-904**
7. Clam Cleat Racing Junior MK2, Aluminum - **CL211MK2**
8. RS Zest Gooseneck Collar - **ZES-SP-900**
9. RS Horn Cleat - **P51103001**
10. RS Zest Lower Mast Collar - **ZES-SP-901**
11. RS Zest Mast Lower Heel Plug - **ZES-SP-902**
12. RS Forestay Mast Hounds/Eye Triangle, Selden - **P50847701**
13. Selden 40mm Fiddle/Hook Block with Cam Eye - **P40410119**
14. RS Zest Kicker/Vang Primary - **ZES-WEB-009**
15. RS 40mm Single Block, Selden - **404-101-02R**
16. RS Zest Kicker/Vang Control Line - **ZES-WEB-010**

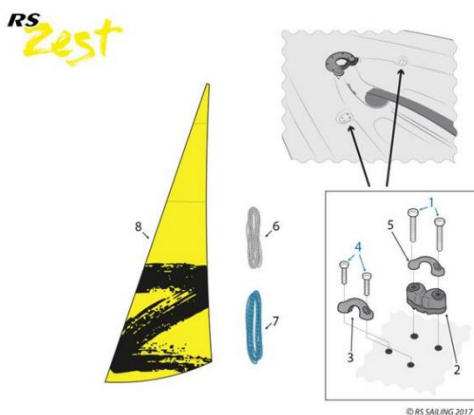
Click on the part number to be linked directly to the product page!

Boom Parts



1. RS Zest Boom Jaw - **ZES-SP-904**
2. RS Stainless Steel Lined Bullseye, Small - **AER-HF-100**
3. RS Monel Rivet 4.8 x 12mm - **FIX-R48-M12**
4. RS Eyestrap 38mm - **508-019**
5. Clamcleat Side Entry Cleat MK1, Starboard - **CL217MK1**
6. RS Zest Kicker/Vang Boom Block Tie (2ft) - **ZES-WEB-008**
7. RS Single Block 40mm, Selden - **404-101-02R**
8. RS Zest Boom - **ZES-SP-400**
9. Allen Forged D Shackle 4mm - **A-621104**
10. RS AutoRatchet Block 45mm, Selden - **P404401**
11. Allen Stainless Steel Twisted Welded Hook - **A4069**
- 11b. RS Zest Clew Strap (2ft) - **ZES-WEB-014**
12. RS Zest Outhaul (13ft) - **ZES-WEB-012**
13. RS Boom End Plug - **FEV-SP-903**

Jib Pack



1. RS Flat Head Machine Screw M4 x 25mm - **FIX-B4-C25**
- 2 & 5. RS Cam Cleat 27mm, Selden - **433-101-01**
3. RS Stainless Steel Lined Bullseye, Medium - **AER-HF-100**
4. RS Pan Head Machine Screw M5 x 20mm - **FIX-B5-P20**
6. RS Zest Jib Halyard - **ZES-WEB-001**

Click on the part number to be linked directly to the product page!

7. RS Zest Jib Sheet (19ft)- **ZES-WEB-002**
8. RS Zest Jib Sail - **ZES-SA-200**

Sail & Covers



1. RS Zest Mainsail Batten Set - **ZES-SA-900**
2. RS Zest Mainsail - **ZES-SA-100**
3. RS Digital 8 Sail Numbers, 230mm - **RSM-SA-901**
4. RS Zest Top Mast Section - **ZES-SP-200**
5. RS Zest Lower Mast Section - **ZES-SP-300**
6. RS Zest Boom - **ZES-SP-400**
7. RS Rowing Kit - **RSM-UA-100**
8. RS Flat Head Machine Screw 10 x 1mm - **FIX-S10-C01**
9. RS Sail Bag 2.75m, Hyde - **LDCSB31**
10. RS Zest Deck Cover - **ZES-CO-100**