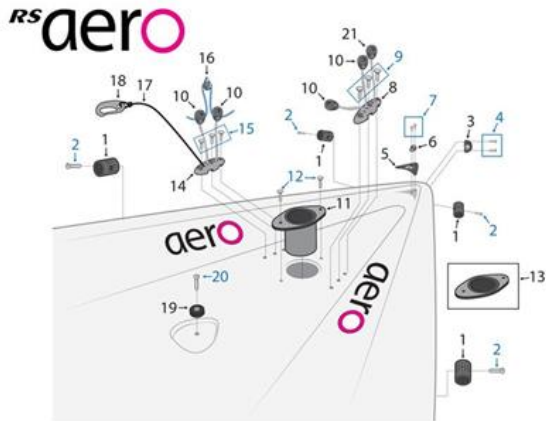
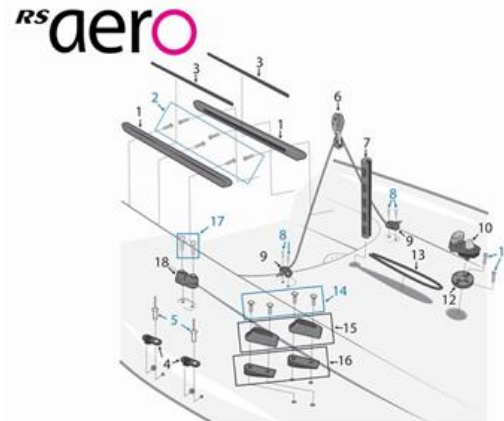


Bow & Mast Step Area



1. RS Aero Gunwale Fairlead - **AER-HF-901**
2. RS Flat Head Machine Screw: 10 x 1mm - **FIX-S10-C01**
- 3 & 6. RS Bullseye (S/S Lined), Small - **AER-HF-100**
- 4 & 7. RS Pan Head Machine Screw: 10 x 1 ½ mm - **FIX-S10-P15**
5. RS Aero Carbon Bow Plate Logo - **AER-HF-405**
- 8 & 14. RS Aero Deck Organizer - **AER-HF-404**
- 9 & 15. RS Flat Head Machine Screw: 10 x 1 ½ mm - **FIX-S10-C15**
10. Harken T18 Soft Attach Block - **H2698**
11. RS Aero Mast Step Collar - **AER-HF-201**
12. RS Flat Head Machine Screw: 10 x ¾ mm - **FIX-S10-C34**
13. RS Aero Mast Step Collar, Retrofit - **AER-HF-203**
16. Harken 16 mm Single Block - **H404**
17. RS Aero Daggerboard Elastic (4ft) - **AER-WEB-017**
18. Allen Nylon Shockcord Hook - **A359**
19. RS Aero Deck Button - **RSM-HF-902**
20. RS Pan Head Machine Screw: 10 x 1mm - **FIX-S10-P01**
21. Harken T2 18 mm Double Block - **H2158**

Daggerboard Case Area



1. RS Aero Grabrail - **RSM-HF-402**
2. RS Pan Head Machine Screw: 10 x 1 1/2mm - **FIX-S10-P15**
3. RS Aero Grabrail Insert - **RSM-HF-407**
4. RS Aero Gunwale Bushing, Angled - **AER-HF-900**
5. Black Nylon Cinch Rivet - **RSM-MS-302**
6. Harken 40mm Carbo Traveler Block - **H2649**
7. RS Aero Daggerboard Case Insert - **AER-HF-202**
8. RS Pan Head Machine Screw: 10 x 1 ½ mm - **FIX-S10-P15**
9. RS Aero Traveler Eyestraps - **480-351**
10. RS Aero Vang Swivel - **AER-HF-402**
11. RS Pan Head Machine Screw: 10 x 1 ½ mm - **FIX-S10-P15**
12. RS Aero Vang Mounting Base - **AER-HF-403**
13. RS Aero Gasket Fluff (1m) - **RSM-HF-900**
14. RS Flat Head Machine Screw #8 x 1 ½ mm - **FIX-S8-C02**
15. Clam Cleat - Aluminum Racing *Junior* - **CL211 MK2**
16. Clamcleat Tapered Pad for CL211 MK2 - **CL819**
17. RS Pan Head Machine Screw: 8 x 3/4mm - **FIX-S8-P02**
18. Harken Micro Cam Cleat - **H471**

Click the part number to be linked directly to the product page!

Transom Area

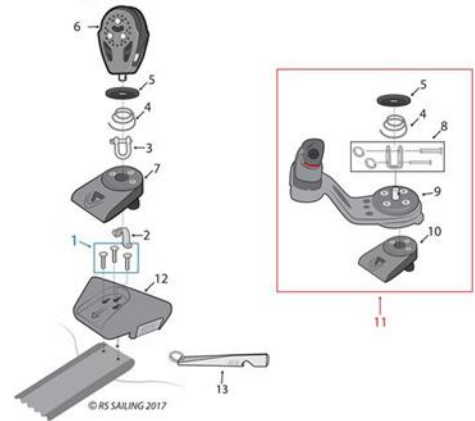
RS
aero



1. Drain Plug with Housing RWO - **R2066**
2. RS Pan Head Machine Screw: 8 x 3/4mm - **FIX-S8-P02**
3. Drain Plug - RWO PLUG ONLY - **R2067**
4. Allen Plastic Ring 18mm Diameter - **A.156**
5. RS Aero Gudgeon, Non-Locking - **RSM-HF-506**
6. RS Gudgeon with Lock - **C16-HF-502**
7. RS Pan Head Machine Screw 14 x 2mm - **FIX-S14-P01**
8. RS Aero Water Bottle - **AER-MS-900**
9. RS Hiking Strap Attachment Cross - **TER-HF-401**
10. RS Flat Head Machine Screw 10 x 1mm - **FIX-S10-C01**
11. RS Hiking Strap Plate - **RSM-HF-301**
12. RS Pan Head Machine Screw 10 x 1 1/2 mm - **FIX-S10-P15**
13. RS Aero Scupper, Port - **AER-HF-501**
14. RS Aero Scupper, Starboard - **AER-HF-500**
15. Hiking strap Bungee 5mm - **KS305BLK**
16. RS Aero Hiking Strap - **AER-HF-400**
17. RS Aero Logo/ Decal Kit - **AER-MS-800**
18. Black Shockcord, 4mm - **KS304BLK**

Mainsheet Components

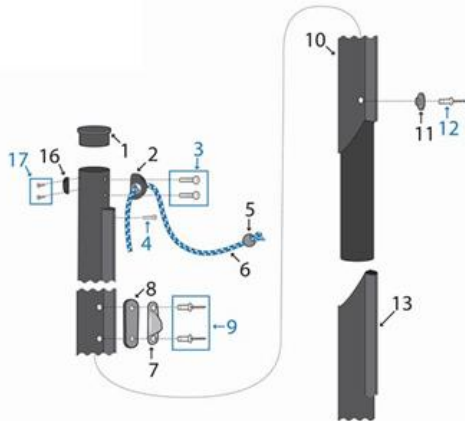
RS
aero



1. RS Flat Head Machine Screw: 10 x 1 1/2 mm- **FIX-S10-C15**
2. RS Forestay Eyestay - **508-089-01**
3. Shackle, 3/16" with Pin & Ring - **H072**
4. Handle Spring - **H071**
5. Harken SPRING CUP- CAM BASE (HSB2) - **MP1877B**
6. Harken 57 mm Ratchet Block - **H2135**
7. RS Aero Mainsheet Block Shoe - **480-482**
8. Micro Cam Cleat Spring - **H093**
9. Harken Swivel Cam Base w/ 150 Cam Cleat - **H205**
10. RS Aero Main Shoe (For Swivel Cleat Version ONLY) - **480-484**
11. RS Aero Mainsheet Swivel Base - **AER-UA-110**
12. RS Aero Mainsheet Base, Retro Fit - **AER-UA-109**
13. RS Aero Bottle Opener Key - **RSM-UA-201**

Click the part number to be linked directly to the product page!

Upper Mast

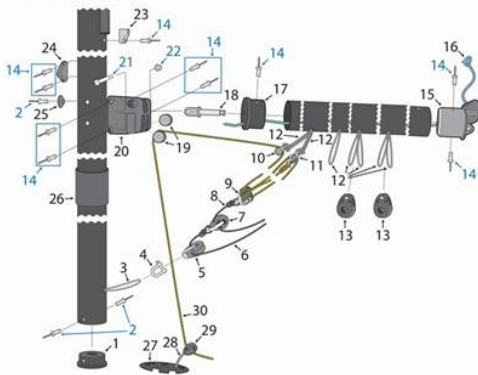


1. RS Aero Upper Mast Plug - **AER-SP-902**
2. RS Bullseye Stainless-Steel Lined, Medium - **508-604**
3. RS Carbon Rivet 4.8 x 18mm - **FIX-R48-C18**
4. RS Carbon Rivet 4.8 x 12.3mm - **FIX-R48-C85**
5. RWO Black Stopper Ball, 6mm - **R1991T**
6. RS Aero Main Halyard Complete - **AER-WEB-400**
7. Clamcleat Racing Fine Line Cleat Port - **CL259**
8. RS Aero Top Mast Cleat Backer - **AER-SP-912**
- 9 & 12. RS Carbon Rivet 4.8 x 12mm - **FIX-R48-C12**
10. RS Aero Top Section Complete - **AER-SP-004**
11. RS Aero Mast Button - **AER-SP-903**
13. RS Aero Mast Track (sold by meter) - **AER-SP-906**
16. RS Aero Wind Indicator Clip - **AER-UA-108**
17. RS Pan Head Machine Screw: 8 x 3/4mm - **FIX-S8-P02**

4. Harken 5mm Shallow Bow Shackle - **H2132**
5. Harken 40 mm Carbo Block - **H2650**
- 6 & 6. RS Aero Kicker Cascade (7ft) - **AER-WEB-008**
7. Harken 29 mm Single Fixed Block - **H348**
9. Harken 16 mm Double Block - **H406**
10. Harken 16 mm Single Block - **H404**
11. Harken 16 mm Single Block w/Becket - **H405**
12. Boom Block Loops - 4mm Dyneema
13. Harken T2 40 mm Soft Attach Block - **H2148**
14. RS Carbon Rivet 4.8 x 18mm - **FIX-R48-C18**
15. RS Aero Boom End Plug - **AER-SP-909**
16. RS Aero Outhaul (Boom Part) - **AER-WEB-005**
17. RS Aero Gooseneck Plug - **AER-SP-908**
18. RS Aero Gooseneck Pin - **AER-SP-904**
19. RS Aero Gooseneck Sheave - **AER-SP-907**
20. RS Aero Gooseneck Assembly - **AER-SP-910**
21. RS Pan Head Machine Screw: M6 x 35mm - **FIX-B6-P35**
22. RS Nut: M6 Nyloc - **FIX-N6-006**
23. RS Aero Mast Sail Feeder - **AER-SP-911**
24. Clamcleat Mini - **CL204**
25. RS Aero Mast Button - **AER-SP-903**
26. RS Aero Mast Collar - **AER-SP-901**
27. RS Aero Deck Organizer - **AER-HF-404**
28. Dyneema, 4mm - **KDB04B**
29. RS Aero Outhaul (Boom Part) - **AER-WEB-005**
30. RS Aero Kicker Control Line (23ft) - **AER-WEB-009**
- Aero 5 Lower Section - **AER-SP-003**
- Aero 6 Lower Section - **AER-SP-006**
- Aero 7 Lower Section - **AER-SP-002**
- Aero 9 Lower Section - **AER-SP-001**

Lower Mast & Boom

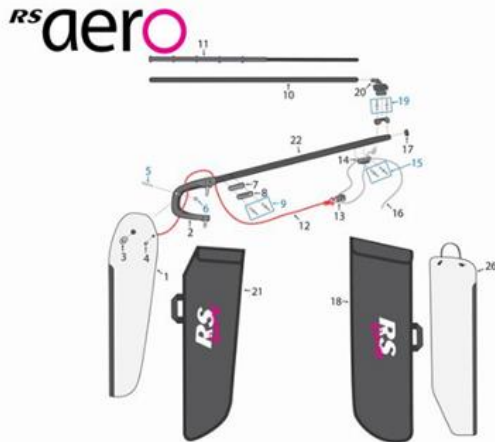
RS **aero**



1. RS Aero Mast Heel Plug - **AER-SP-905**
2. RS Carbon Rivet 4.8 x 12mm - **FIX-R48-C12**
3. Lower Mast Loop – 5mm Dyneema

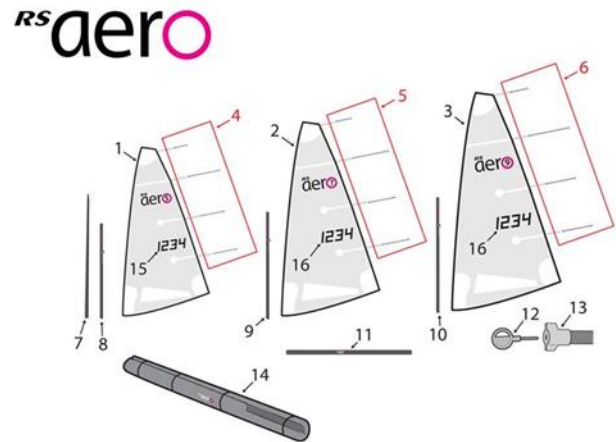
Click the part number to be linked directly to the product page!

Rudder Stock & Foils



1. RS Aero Rudderblade - **AER-FO-100**
2. RS Aero Rudderstock with carbon tiller - **AER-FO-001**
3. RS Aero Rudder Pivot Bushing - **AER-FO-901**
4. RS Aero Rudder Downhaul Bushing - **AER-FO-902**
5. RS Pan Head Machine Screw, M6 x 40mm - **FIX-B6-40**
6. RS Nut: M6 Nyloc - **FIX-N6-006**
8. Fine Line Racing Cleat Port - **CL259**
- 9 & 19. RS Carbon Rivet 4.8 x 12mm - **FIX-R48-C12**
10. RS Aero Tiller Extension *CPX* - **AER-UA-106**
11. RS Aero Tiller Extension - **AER-FO-401**
12. RS Aero Rudder Downhaul (23ft) - **AER-WEB-013**
13. RS Selden 20mm Single Block - **P402101SIN**
14. Micro Racing Cleat with Becket - **CL270**
15. RS Flat Head Machine Screw 6 x 3/4mm - **FIX-S6-C01**
16. Rudder Downhaul Control Line 4mm - **KKD04BWH**
17. RS Aero Tiller End Cap - **AER-FO-900**
18. RS Padded Daggerboard Bag - **RSM-CO-600**
20. RS Selden Universal Joint - **CA0015**
21. RS Aero Padded Rudder Bag - **AER-CO-500**
22. RS Aero Tiller Tube Only - **AER-FO-109**
26. RS Aero Daggerboard - **AER-FO-200**

Sails and Spars



1. RS Aero 5 Sail Complete - **AER-SA-102**
 2. RS Aero 7 Sail Complete - **AER-SA-101**
 3. RS Aero 9 Sail Complete - **AER-SA-100**
 4. RS Aero 5 Batten Set - **AER-SA-902**
 5. RS Aero 7 Batten Set - **AER-SA-901**
 6. RS Aero 9 Batten Set - **AER-SA-900**
 7. RS Aero Top Section Complete - **AER-SP-004**
 8. RS Aero 5 Lower Section - **AER-SP-003**
 9. RS Aero 7 Lower Section - **AER-SP-002**
 10. RS Aero 9 Lower Section - **AER-SP-001**
 11. RS Aero Boom Complete - **AER-SP-005**
 12. RS Batten Adjuster Key - **RSM-SA-908**
 13. RS Aero Batten Tips with Key - **AER-SA-903**
 14. RS Aero Spar Bag - **AER-CO-400**
 15. RS Sail Number, Digital 8, 230mm - **RSM-SA-901**
 16. RS Sail Number, Digital 8, 300mm - **RSM-SA-900**
- Not pictured:*
- RS Aero 6 Sail Complete - **AER-SA-103**
 RS Aero 6 Batten Set - **AER-SA-905**
 RS Aero 6 Lower Section - **AER-SP-006**

Click the part number to be linked directly to the product page!